

**LEOBERSDORFER
MASCHINENFABRIK AG**

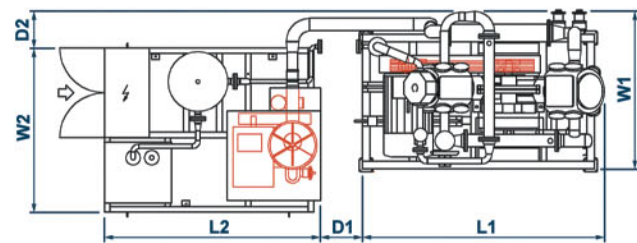
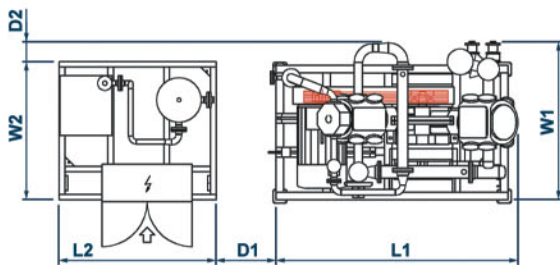
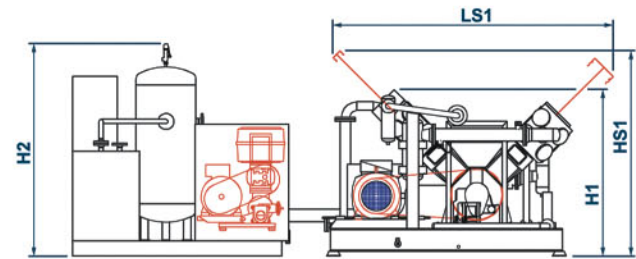
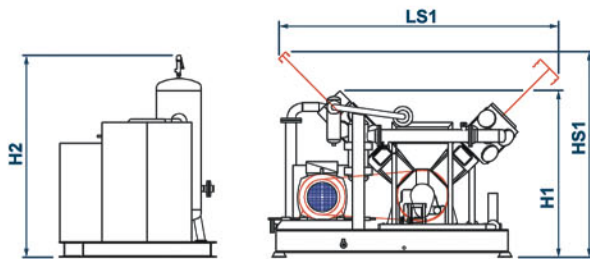


**Ölfreie *EcoPET*-Blasluftkompressoren /
Oil-free *EcoPET* Compressors for PET Applications**

**Technische Daten / *Technical Data*
Abmessungen / *Dimensions***

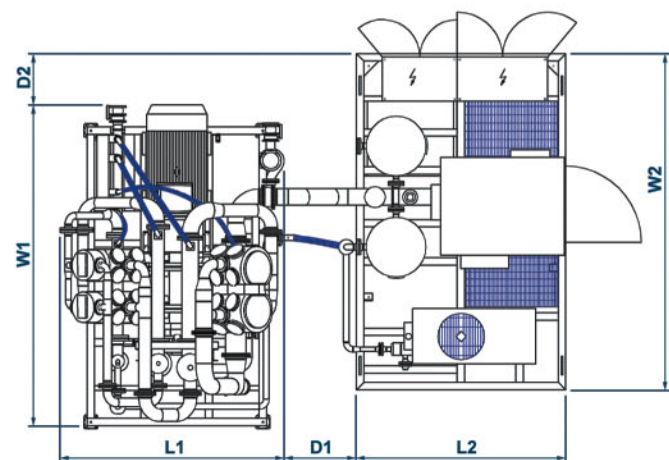
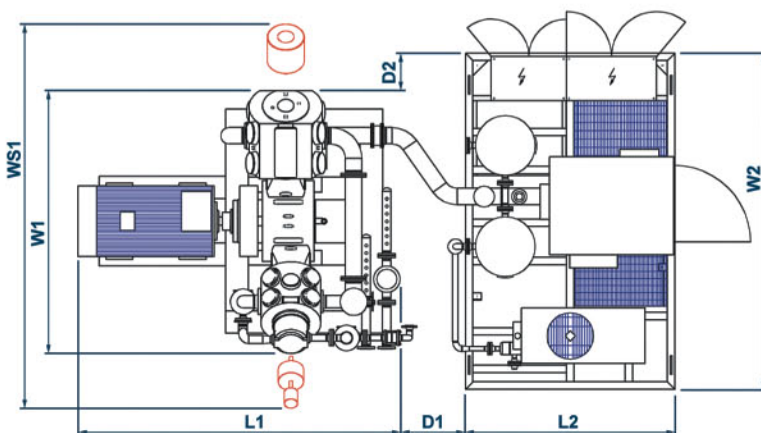
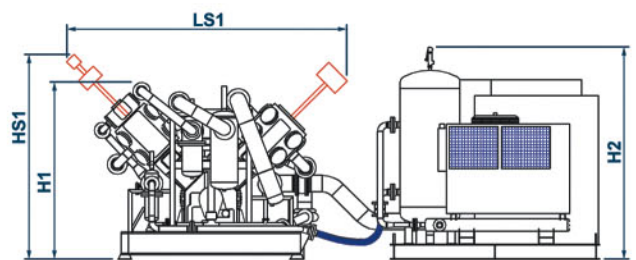
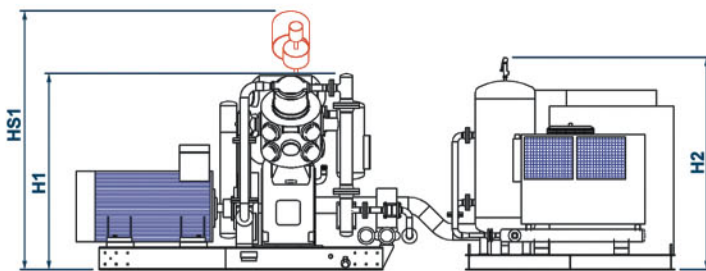


Ölfreie EcoPET-Blasluftkompressoren / Oil-free EcoPET Compressors for PET Applications



VC 600 - VC 800

VC 950-B - 1550-B



V 1800-B / V 2200-B

VCL 2400-B - VCL 3100-B

Ölfreie EcoPET-Blasluftkompressoren / Oil-free EcoPET Compressors for PET Applications



Technische Daten / Technical Data

	VC 600	VC 800	VC 950-B	VC 1200-B	VC 1350-B	VC 1550-B	V 1800-B	V 2200-B	VCL 2400-B	VCL * 2700-B	VCL * 3100-B
capacity [m ³ /hr] FAD	600	800	950	1200	1350	1550	1800	2200	2400	2700	3100
pressure [barg]	42	42	42	42	42	42	42	42	42	42	42
number of stages	3	3	4	4	4	4	4	4	4	4	4
nominal speed (compr.) [rpm] at 50 Hz	980	980	820	980	1045	980	740	740	980	980	980
absorbed power (compr. shaft power) [kW]	116	144	174 (31+143)	221 (41+180)	242 (47+195)	278 (56+222)	325 (59+266)	397 (73+324)	427 (81+346)	483 (88+395)	563 (108+455)
motor speed (compr.) [rpm] at 50 Hz	1485	1485	1485	1485	1485	1485	740	740	980	980	980
nominal motor power (compr.) [kW]	132	160	37+160	55+200	55+220	75+250	75+315	90+355	110+400	110+400	132+480
weight (compressor package, appr.) [kg]	5910	6000	6400	6590	6650	6800	12700	14100	11800	11800	12000
weight (auxiliaries on sep. base frame, appr.) [kg]	1970	2200	3150	3260	3350	3600	6200	6900	7000	7400	7600
fresh & cooling air required, compressor room [m ³ /h] at delta T=8K	8100	9900	12400	15700	17700	19000	23300	28300	31300	34200	39100

* not available for 60 Hz operation

Abmessungen / Dimensions

		VC 600	VC 800	VC 950-B	VC 1200-B	VC 1350-B	VC 1550-B	V 1800-B	V 2200-B	VCL 2400-B	VCL 2700-B	VCL 3100-B
dimensions (compressor package) [mm]	L1	3230	3230	3230	3230	3230	3230	4305	4305	3000	3000	3000
	W1	2105	2105	2105	2105	2105	2105	3515	3515	4300	4300	4300
	H1	2225	2225	2225	2225	2225	2225	2625	2625	2370	2370	2370
	LS1	3740	3740	3740	3740	3740	3740	5140	5140	3750	3750	3750
	HS1	2745	2745	2745	2745	2745	2745	3460	3460	2740	2740	2740
dimensions (auxiliaries on separate base frame) [mm]	L2	2100	2100	2890	2890	2890	2890	2800	2800	2800	3000	3000
	W2	1850	1850	2200	2200	2200	2200	4500	4500	4500	5070	5070
	H2	2695	2695	2835	2835	2835	2835	2835	2835	2835	2850	2850
	D1	800	800	560	560	560	560	875	875	965	965	965
	D2	255	255	365	365	365	365	500	500	690	690	690