

# Zero Air Generators

## for Combustion Detector Applications



Parker domnick hunter zero air generators produce a continuous flow of clean, dry air with an ultra low residual methane content of less than 0.1 ppm from an existing compressed air supply. Models are available with flow rates ranging from 1.0L/minute to 30.0L/minute.

An interchangeable top panel allows for direct mounting of a Parker domnick hunter UHP hydrogen generator, to provide an all-in-one flame gas solution for GC-FID, FPD and NPD applications.

The generators can also be used to supply zero air to many additional applications including nebulizer and exhaust gas for LC/MS applications, zero gas and combustion gas for total hydrocarbon analysers and calibration / dilution gas for gas sensing equipment.



### Contact Information:

Parker Hannifin Ltd  
**domnick hunter Industrial division**  
Dukesway, Team Valley Trading Estate  
Gateshead, Tyne and Wear  
England NE11 0PZ

Tel: +44 (0)191 402 9000  
Fax: +44 (0)191 482 6296  
[www.domnickhunter.com](http://www.domnickhunter.com)

### Features:

- **High performance catalyst**
- **OIL-X EVOLUTION pre-and after filtration**
- **Compact, modular design for easy mounting of a Parker domnick hunter UHP hydrogen generator**
- **Simple operation**
- **Digital temperature display**
- **Minimal maintenance**
- **CE and UL approved**
- **Global manufacturing support**

### Benefits:

- **Gas quality assured**  
Catalyst air temperature monitoring and display gives reliable indication of gas purity. High performance OIL-X EVOLUTION filtration effectively removes contamination
- **Improved instrument performance**  
Guaranteed consistent purity reduces baseline noise and improves stability
- **Maximised uptime, maximised productivity**  
No cylinder changes mean no interruptions to analyses and no instrument re-calibration. Cleaner air reduces frequency of instrument cleaning. Quick and easy servicing: changing the filters takes just a few minutes
- **Economy**  
Quick return on investment typically 12 months. No cylinder rental charges and no price inflation
- **Reduced Health and Safety risks**  
No manual handling or storage of high pressure gas
- **Peace of mind**  
Service contracts and extended warranty available
- **Space saving**  
Compact, modular design



ENGINEERING YOUR SUCCESS.

## Technical Information

Parker domnick hunter zero air generators use a combination of Parker domnick hunter OIL-X EVOLUTION high performance filtration and catalytic technologies to purify an existing compressed air supply.

The compressed air passes first through a high efficiency OIL-X EVOLUTION grade AO filter to ensure removal of oil,

water and particulate. The clean compressed air then enters the catalyst unit where hydrocarbons are oxidised to water and carbon dioxide.

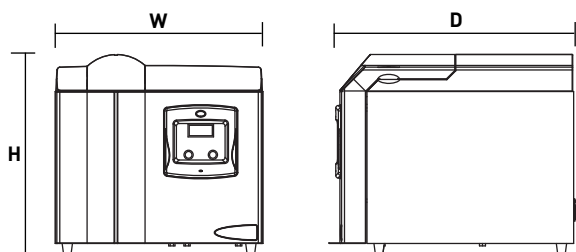
Finally, a high efficiency OIL-X EVOLUTION grade AA 0.01 micron filter downstream of the catalyst unit removes any remaining particulate. The Parker domnick hunter zero air

generator employs air temperature monitoring inside the catalyst unit to reliably maintain the optimum operating temperature and ensure high performance hydrocarbon removal. Inlet design further enhances efficiency by ensuring balanced air flow through the catalyst unit.

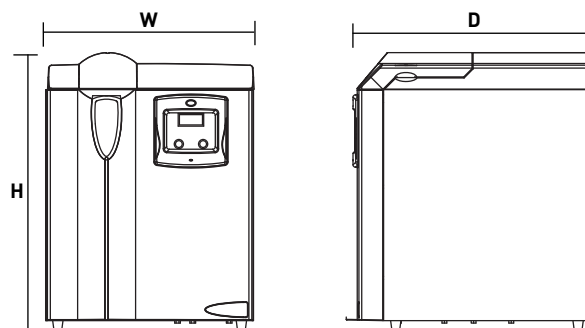
## Technical Specifications

Model	Flow rate L/min	Purity/total hydrocarbon content	Connections		Voltage ac	Dimensions mm			Weight kg
			Air inlet	Air outlet		H	W	D	
UHP-10ZA-S	1.0	<0.1 ppm	1/8"	1/8"	115/230	325	340	425	10.8
UHP-35ZA-S	3.5	<0.1 ppm	1/8"	1/8"	115/230	455	340	425	10.8
UHP-50ZA-S	5.0	<0.1 ppm	1/4"	1/4"	115/230	455	340	425	16.1
UHP-75ZA-S	7.5	<0.1 ppm	1/4"	1/4"	115/230	455	340	425	16.1
UHP-150ZA-S	15.0	<0.1 ppm	1/4"	1/4"	115/230	455	340	425	16.1
UHP-200ZA-S	20.0	<0.1 ppm	1/4"	1/4"	115/230	455	340	425	16.1
UHP-300ZA-S	30.0	<0.1 ppm	1/4"	1/4"	115/230	455	340	425	16.1

### UHP-10ZA-S



### UHP-35ZA-S to UHP-300ZA-S



To ensure optimum performance and longevity of your zero air generator, Parker domnick hunter recommends the following filter changes every 12 months:

Model	UHP-10ZA-S	UHP-35ZA-S	UHP-50ZA-S	UHP-75ZA-S	UHP-150ZA-S	UHP-200ZA-S	UHP-300ZA-S
Inlet Air Filter Element	50 442 1055	50 442 1055	50 442 1055	50 442 1055	50 442 1055	50 442 1055	50 442 1055
Outlet Air Filter Element	50 443 1055	50 443 1055	50 443 1055	50 443 1055	50 443 1055	50 443 1055	50 442 1055

For more information on extended warranty and preventative maintenance contract availability, please contact your local Parker domnick hunter sales office or log on to [www.domnickhunter.com/scientific](http://www.domnickhunter.com/scientific)